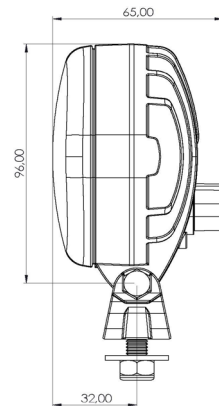
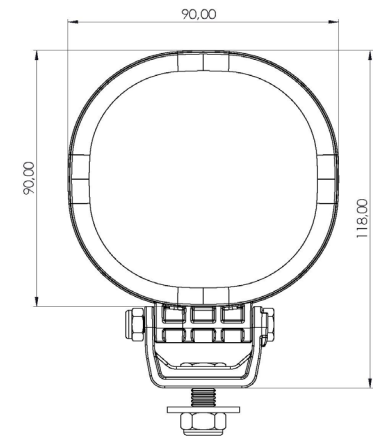




0909 Compact+ RedPoint

PRODUCT INFORMATION:

The 0909 Compact+ RedPoint is an alternative LED safety light with a slim housing. The 0909 Compact+ RedPoint is UL certified.



EMC TESTED

Operating Temp: -40° to 85°C



IP 69K

Light Pattern: Spot



VIBRATION TESTED

Lens Material: Plastic



SALT SPRAY TESTED

Housing: Cast Aluminium



UL RATED OPTIONAL

Mounting Options:
Hanging, Standing

Connector: (DT04-2P) Built in

Weight: 306 g / 0.68 lbs

Model	OPTICAL PROPERTIES				Number of LEDs	VOLTAGE			AMP DRAW		Power (Watts)	COMPLIANCE / RATING					
	Theoretical Lumen	Effective Lumen	Candela (cd)	Wavelength (nm)		Machine	Operating Range		12 Volts	24 Volts		EMC EN55025	IP69K	Vibration 5-2000Hz 3 Axis	Shock Tested	Salt Spray ASTM B117	UL Rated Optional
Red	N/A	N/A	TBD	630	4	12-48	9	60	1.2	0.6	15	Class 5	•	10 Grms	•	•	•*
Red	N/A	N/A	TBD	630	4	12-80	9	108	1.2	0.6	15	Class 5	•	10 Grms	•	•	•*