



## T-10

PAS: Pedestrian alert system

## Product description

T-10 is a small long-duration active RFID device that can be placed in any active or person, allowing the net installed by Icnita to localize the tags with precision by the AC-50.

## Special features

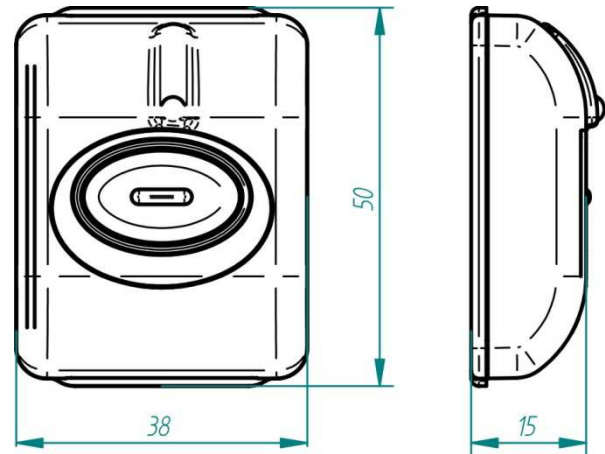
These resistant tags with battery can be used with people and other equipments;

- Forklift
- Packaging
- Manufacturing Equipment
- Airport Cars
- Medical Devices
- ...

## Advantages

- Long Battery Life
- Call button functions
- Rugged Design
- Ability to detect critical points

## Technical specifications



Dimensions: 50 mm x 38 mm x 15 mm

Weight:	45g
Material:	ABS
IP protection:	IP 65
Detection Range:	0,5 – 6,5m
Frequency:	<ul style="list-style-type: none"><li>• Compatible with radio 802.15.4 (2,4 GHz)</li><li>• Low Frequency Receiver RFID (21 KHz)</li></ul>
Transmit Power:	0 dBm, (1 mW)
T <sup>a</sup> Operating	-10°C to +60°C
Humidity:	0 - 100% condensing
Power supply:	Lithium battery CR 2450 (replaceable)
Battery life:	1 year average. (depending on usage and other factors)

## Configurations



T-10 wristband



T-10 keychain  
and / or carabiner



T-10 objects



Inhibitor T-10



This equipment may only be opened by qualified personnel. Handling or opening by unauthorized personnel may result in loss of warranty. The successful and good performance of this team says has been transported, stored.

