

TT-50

PAS: Pedestrian alert system

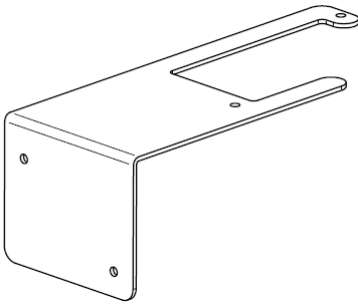
Product description

TT-50 is a small device that is installed on the truck, near Activator AC-50.

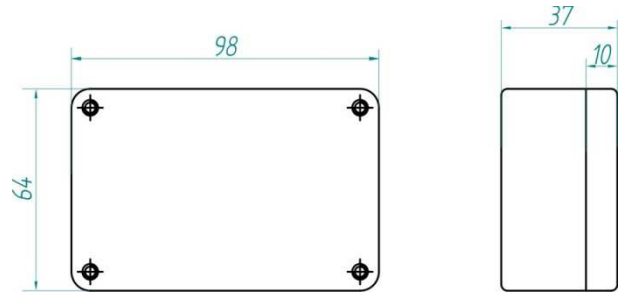
This device is responsible for overseeing both communications RF and security zone generated by the Activator AC-50. Verify that the system is operating properly.

Accessories

Anti vibration support



Technical specifications



Dimensions: 98 mm x 64 mm x 37 mm

Weight: 150g

Material: ABS

IP protection: IP 54

Detection Range: Max. 5m

Frequency:

- Compatible with radio 802.15.4 (2,4 GHz)
- Low Frequency Receiver RFID (21 KHz)

Alimentation: 24VDC

Consumption: 13mA

Transmit Power: 0 dBm, (1 mW)

Response time: 200ms

T^a Operating: -10°C to +60°C

Humidity: 0 - 100% condensing



This equipment may only be opened by qualified personnel. Handling or opening by unauthorized personnel may result in loss of warranty. The successful and good performance of this team says has been transported, stored.

