

## **TZ-50**

PAS: Pedestrian alert system

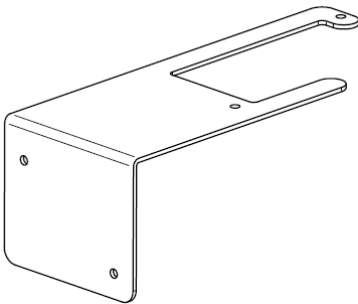
## Product description

TZ-50 is a small device that allows the detection of a forklift, provided with an AC-50, in a security zone established with these devices.

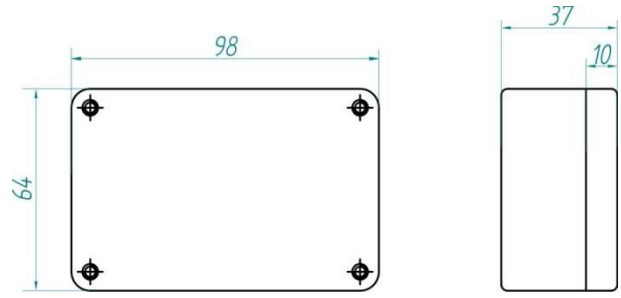
These devices can define an area/perimeter security in a physical space, without requiring the presence of pedestrian with a T-10. When a forklift go in this security area/perimeter, the AC-50 activates a warning signal in the forklift, and even limit the speed of it (depending on the model), while it's inside of this area.

## Accessories

Anti vibration support



## Technical specifications



Dimensions: 98 mm x 64 mm x 37 mm

Weight: 150g

Material: ABS

IP protection: IP 54

Detection Range: Max. 5m

Frequency:

- Compatible with radio 802.15.4 (2,4 GHz)
- Low Frequency Receiver RFID (21 KHz)

Alimentation: 24VDC

Consumption: 13mA

Transmit Power: 0 dBm, (1 mW)

Response time: 200ms

T<sup>a</sup> Operating: -10°C to +60°C

Humidity: 0 - 100% condensing



This equipment may only be opened by qualified personnel. Handling or opening by unauthorized personnel may result in loss of warranty. The successful and good performance of this team says has been transported, stored.

